

T688 Series

Treatment Chair

**Being there.
Sometimes it means
helping patients
be somewhere else.**



Class leading patient comfort

The T688 features an all steel frame and Soft-Care memory foam. Chairs are produced to ensure optimal patient comfort.



Designed for staff safety

Staff safety is paramount in providing optimum care, and the T688 incorporates a range of features to ensure convenience and staff safety are not compromised for patient comfort.

**" I'm looking for patient
comfort and staff safety. "**

Sally, Nurse

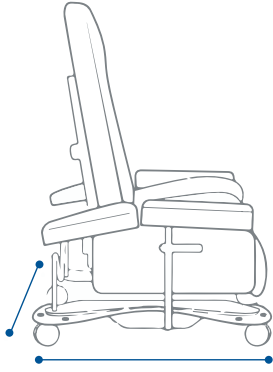


Class leading comfort and control

The T688 combines ergonomic design with exacting safety features, a high degree of adjustability, and thoughtful details to help staff provide the best possible support and care to patients.

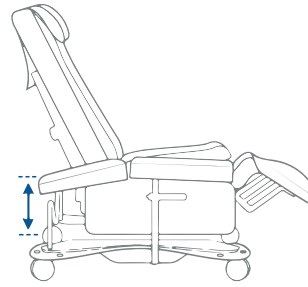


- Ergonomics - contoured backrest, lumbar, adjustable headrest and lateral support aid patient comfort
- Space-saving design for improved ambience and safety
- Standard model with zoned cushioning system for patients up to 200 kg



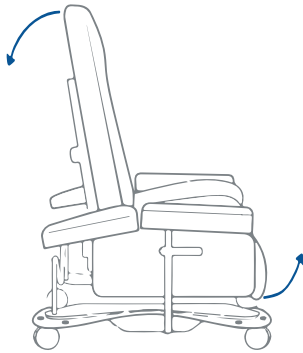
Compact Footprint

Space is always at a premium in any healthcare facility, but the T688's smart design and smaller footprint allows more room between patients, ensuring both improved safety and more privacy.



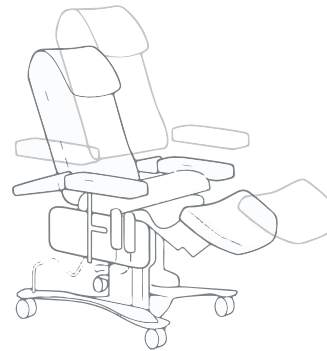
Height Adjustable Chair

Staff can easily change the chair height to an optimum position for reduced risk of back injury, helping you meet your Occupational Health and Safety obligations.



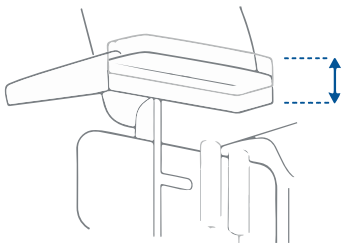
Patient Hand Control

Patients have the power to adjust the back and leg positions of the chair at the push of a button - giving them control of their own comfort.



Removable Upholstery

Meeting infection control obligations is made easier with the T688. The removable, non-porous upholstery makes cleaning a breeze.



Adjustable Arm Rests

Arm rest height can be adjusted for patient comfort or removed completely allowing easy access for mobility-impaired patients and ensuring the safety of both patients and staff when transferring to and from the chair.



Staff Hand Control with presets

This can be programmed to include an emergency position, cleaning position and pre-treatment position. At the touch of a button the chair automatically moves to your desired position, with no wasted time or effort.



One Touch Emergency

At the touch of a button the T688 instantly moves into the Trendelenburg emergency position, giving you precious time to urgently attend to your patient's needs.

T688



Standard features:

- Height adjustable
- Compact footprint
- One-touch Trendelenburg
- Battery backup
- Foldout tray arms
- 10 cm casters
- Staff and patient handsets

Available option:

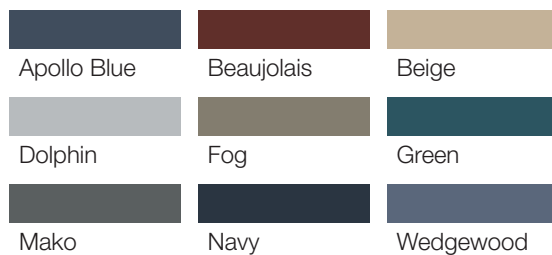
Central locking casters

Electrical Supply:

- 120 V, 60 Hz, 15 A
- Battery type: lead acid, 1.2 Ah
- Output voltage: 24 V DC

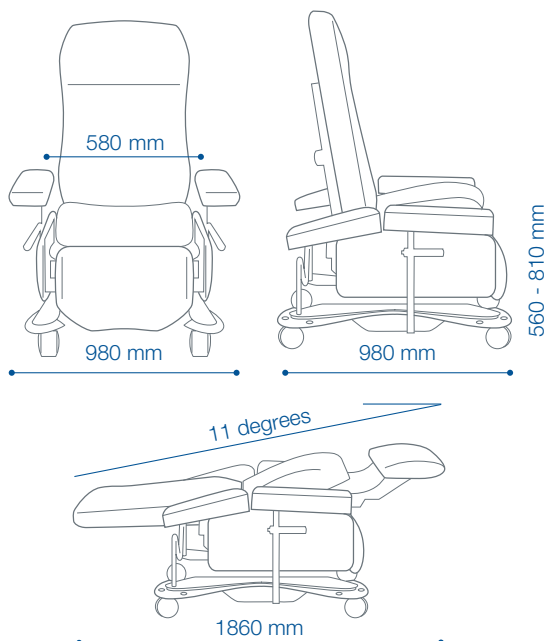
DuroCare colour range:

The colour swatches are an approximate representation of the colours available and should not be interpreted as an exact colour representation of the finished product.



T688 specifications :

Seat to floor height	560-810 mm
Seat width	580 mm
Seat length	520 mm
Back height	800 mm
Overall width	980 mm
Length upright	980 mm
Length Trendelenburg	1860 mm
Weight capacity	200 kg
Time to Trendelenburg	14 seconds



T688B Bariatric



Standard features:

- Height adjustable
- Compact footprint
- One-touch Trendelenburg
- Battery backup
- Foldout tray arms
- 10 cm casters
- Staff and patient handsets

Available option:

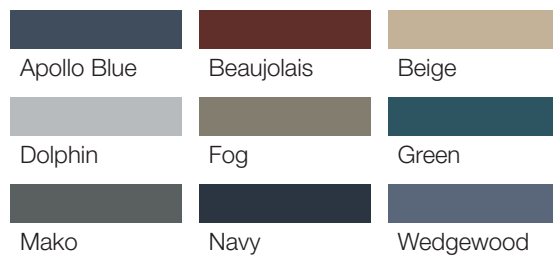
Central locking casters

Electrical Supply:

- 120 V, 60 Hz, 15 A
- Battery type: lead acid, 1.2 Ah
- Output voltage: 24 V DC

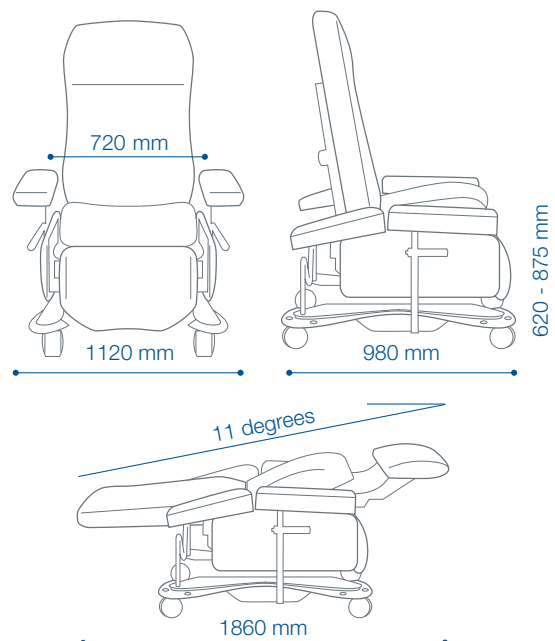
DuroCare colour range:

The colour swatches are an approximate representation of the colours available and should not be interpreted as an exact colour representation of the finished product.



T688B Bariatric specifications:

Seat to floor height	620-875 mm
Seat width	720 mm
Seat length	520 mm
Back height	800 mm
Overall width	1120 mm
Length upright	980 mm
Length Trendelenburg	1860 mm
Weight capacity	300 kg
Time to Trendelenburg	16 seconds





**FRESENIUS
MEDICAL CARE**

Fresenius Medical Care Canada
110 - 45 Staples Ave, Richmond Hill, ON L4B 4W6
T: 1.888.709.4411 www.FreseniusMedicalCare.ca

EQM061701E-1218